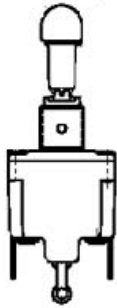




1NT1-3F



NT Series Toggle Switch, 1 pole, 2 position, Screw terminal, Locking Lever

Actual product appearance may vary.

Features

- Completely sealed switching chamber
- NEMA 3, 3R, 4, and 13
- UL recognized, File E12252, Vol. 1, Section 44
- CSA certified, File LR4442
- CE approved


Potential Applications

- Aerial lifts, scissor lifts, truck mounted tele-handlers, and cranes
- Construction equipment
- Agriculture equipment
- Material-handling equipment
- Factory-floor control units
- Machine tool equipment manufacturers

Description

MICRO SWITCH™ NT Series toggle switches meet the need for a rugged, cost-effective toggle switch. Quality construction features include a seal between the toggle lever and bushing, and between the cover and case. These switches can be used where panels are subject to splashes, hosedowns, or outdoor environments. The "Easy-Start" threaded bushing enables quick alignment of mounting nut to decrease the chance of cross threading. The panel stand-off with O-ring feature available on some listings, eliminates the need for behind-the-panel hardware, provides uniform panel height, and provides a panel to cover seal.

Product Specifications	
Circuitry/Operating action	<div style="display: flex; justify-content: space-around; align-items: center;"> <div style="text-align: center;"> <p>Keyway Position</p> </div> <div style="text-align: center;"> <p>Opposite Keyway Position</p> </div> </div>
Product Type	MICRO SWITCH™ Toggle Switch

Lever Lock	 <p>Locked in extreme position (Opposite keyway)</p>
Ampere/Voltage Range (Resistive Load)	0.5 A at 250 Vdc, 0.75 A at 115 Vdc, 0.5 A to 15 A at 0.5 Vac to 277 Vac, 0.5 A to 20 A at 0.5 Vdc to 28 Vdc
Circuitry	SPDT
Action	2 position
Mounting	Bushing 15/32 in
Termination	Screw
Lever Type	Locking
UL/CSA Rating Code	L191: 15 A-125, 250, 277 Vac; 1/2 Hp-125 Vac; 1 Hp-250, 277 Vac; 5 A-120 Vac "L"
Comment	One-pole transportation grade toggle
Availability	Global
UNSPSC Code	30211908
UNSPSC Commodity	30211908 Toggle switches
Series Name	NT

CATALOG LISTING
1NT1 SERIES CHART 2

PAGE 1 OF 1

REPLACES

RELEASE NO. PR-19821

CHECK

REVISIONS

ISSUE 4

CHECK

15 JUL 99

JAF

CHECK

15 JUL 99

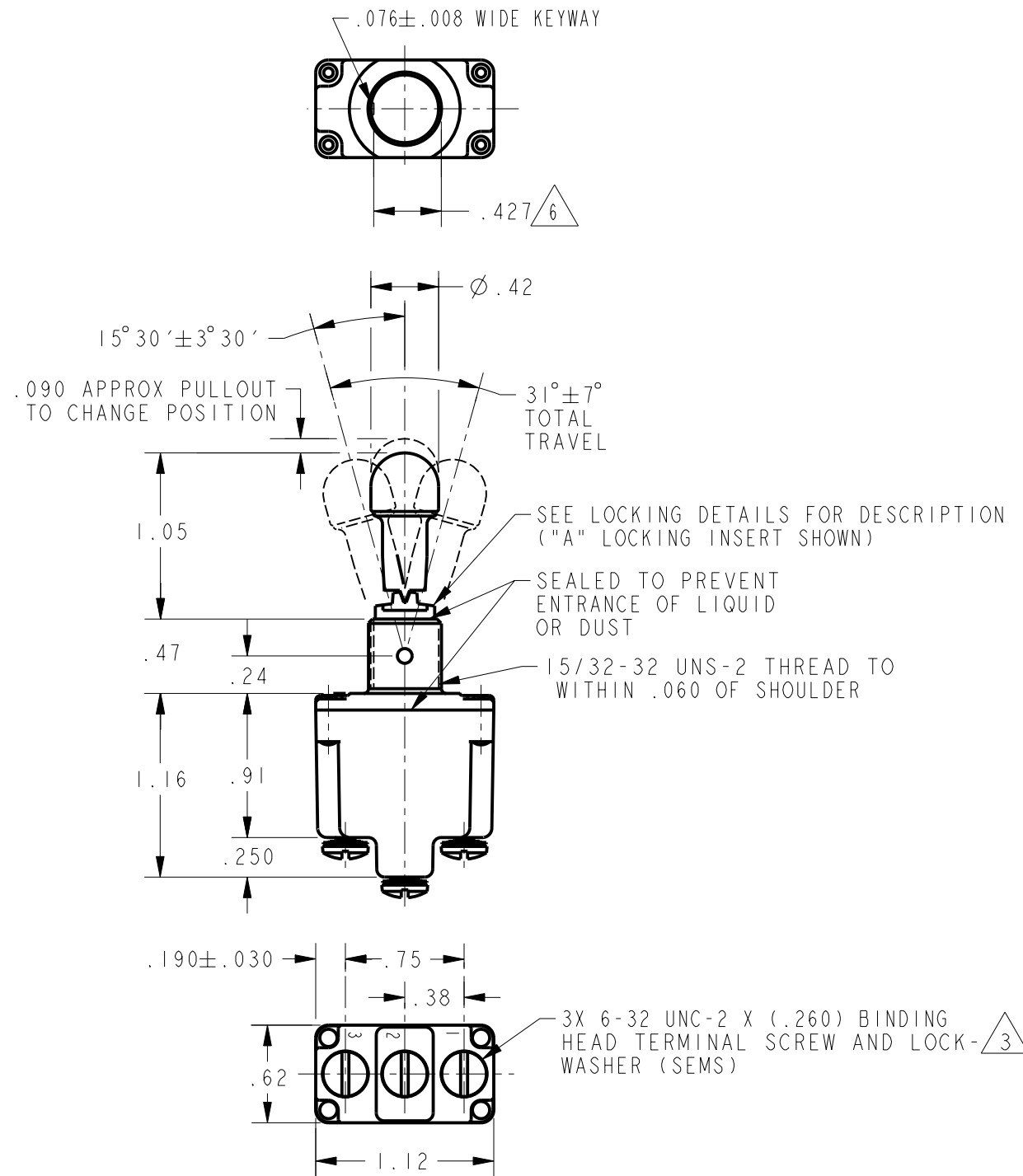
CHECK

15 JUL 99

PTC/CAD 2D

DRAWN

TSM



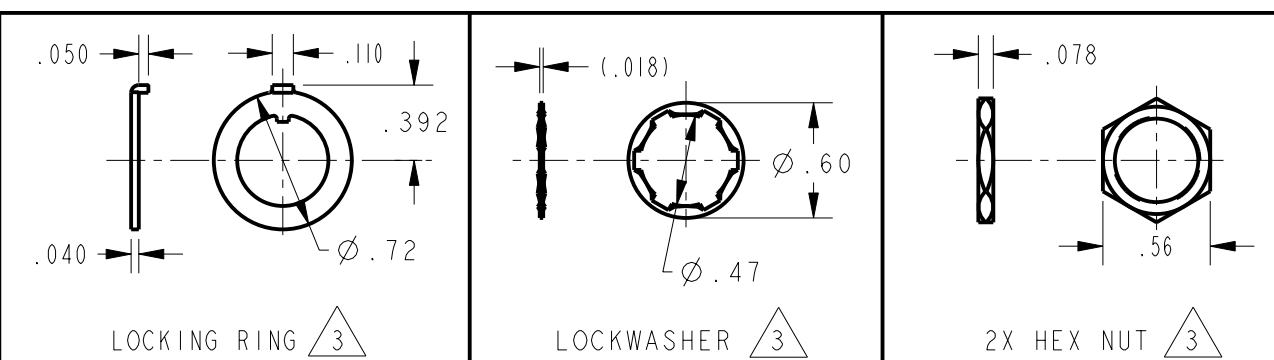
- NOTES**
- SWITCHES ARE CAPABLE OF WITHSTANDING A TEMPERATURE OF 160° F CONTINUOUSLY AT FULL RATED LOAD
 - MICRO SWITCH CATALOG LISTING MARKED ON SIDE OF SWITCH FURNISHED UNASSEMBLED
 - SUFFIX LETTER MUST BE ADDED FOR DESIRED TYPE OF TOGGLE LOCKING. SEE CHART FOR AVAILABLE LOCKING COMBINATIONS
 - APPLIES ONLY TO "ON" AND "MOMENTARY ON" POSITIONS
 - FROM BOTTOM OF KEYWAY TO MAJOR DIA OF 15/32 THREAD
 -

ANSI Y14.5M-1982 APPLIES

ELECTRICAL DATA

AVAILABLE LOCKING COMBINATIONS FOR CONFIGURATION SEE LETTERED DETAILS	CATALOG LISTING	CIRCUIT MADE WITH TOGGLE LEVER IN			
		KEYWAY SIDE (1-2)	CENTER (1-2)	OPPOSITE KEYWAY (2-3)	
L191 15A 125, 250, 277 VAC 1/2HP 125 VAC 1HP 250, 277 VAC 5A 125 VAC "L"	A,B,D,E,F,G,H,J,K,L,M,N,P	INTI-1	ON	OFF	ON
	D,F,G	INTI-2	OFF	NONE	ON
	D,F,G	INTI-3	ON	NONE	ON
	E,F,K,M	INTI-21	NONE	OFF	ON
	E,F,K,M	INTI-31	NONE	ON	ON
L192 10A 125, 250, 277 VAC 1/4HP 125 VAC 1/2HP 250, 277 VAC 3A 125 VAC "L"	F	INTI-4	MOM OFF	NONE	ON
	E,F,K,L,M,N	INTI-5	MOM ON	OFF	ON
	F	INTI-6	MOM ON	NONE	OFF
	E,L,N	INTI-7	MOM ON	OFF	MOM ON
	F	INTI-8	MOM ON	NONE	ON
	E	INTI-51	NONE	ON	MOM ON
	E	INTI-61	MOM ON	OFF	NONE

"A" LOCKED IN THREE POSITIONS	"B" LOCKED IN CENTER AND EXTREME POS. (KEYWAY SIDE)	"D" LOCKED OUT OF CENTER POSITION	"E" LOCKED IN CENTER POSITION	"F" LOCKED IN EXTREME POS. (OPP. KEYWAY)	"G" LOCKED IN EXTREME POS. (KEYWAY SIDE)
"H" LOCKED OUT OF CENTER AND EXTREME POS. (KEYWAY SIDE)	"J" LOCKED OUT OF CENTER AND EXTREME POS. (OPP. KEYWAY)	"K" LOCKED IN CENTER AND EXTREME POS. (OPP. KEYWAY)	"L" LOCKED OUT OF EXTREME POS. (KEYWAY SIDE)	"M" LOCKED OUT OF AND INTO EXTREME POS. (OPP. KEYWAY)	"N" LOCKED OUT OF EXTREME POS. (OPP. KEYWAY)
"P" LOCKED OUT OF AND INTO EXTREME POS. (KEYWAY SIDE)					



THIRD ANGLE PROJECTION

SCALE FULL

DO NOT SCALE PRINT

UNLESS OTHERWISE SPECIFIED TOLERANCES ARE

ONE PLACE (.0)	±.030
TWO PLACE (.00)	±.015
THREE PLACE (.000)	±.005
ANGLES	±

WEIGHT .08 LBS APPROX